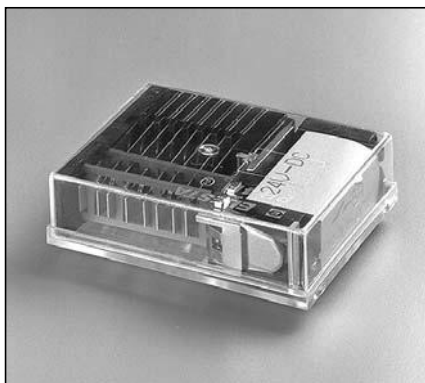


PR 4F - PCB relay



PCB-relay with forced guided contacts, flat version with 2 normally open contacts, and 2 normally closed contacts

order numbers

serial version PR 4F .. VDC

contact specifications

(see data sheet for curves)

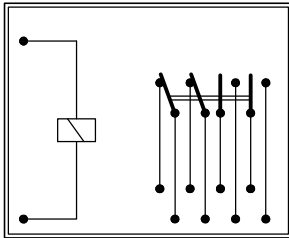
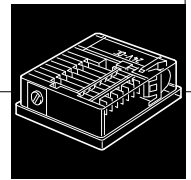
contact material	AgCuNi
contact type	single contact
nominal switching capacity	250 VAC 6 A AC1 1500 VA
electric life expectancy	app. 100'000 operations 250 VAC 6A AC1 (360 Schaltung/h)
inrush current	15 A for 200 ms
switching current range	50 mA to 6A
switching power range	0,3VA to 1500VA

general data

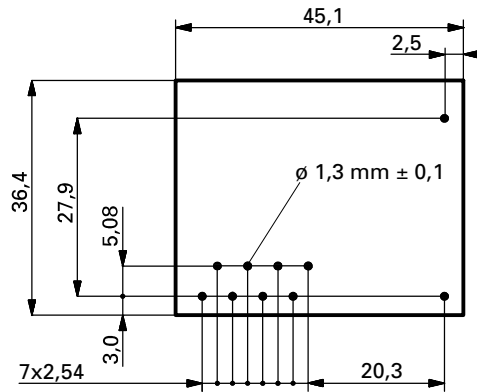
mechanic life expectancy	> 20 x 10 ⁶ operations
mechanical switching frequency	20 Hz
pull-in time	10 ms
release time	2,5 ms
bounce time normally open contact	6 ms
bounce time break contact	6 ms
test voltage, coil/contact	2'000 V _{eff} / 50 Hz
test voltage, open contact	1'500 V _{eff}
insulation resistance	2x10 ¹¹ Ohm
weight	30 g
installation situation	any
ambient temperature	max. +60 °C

tests, instructions

certificates CSA, VDE, SUVA

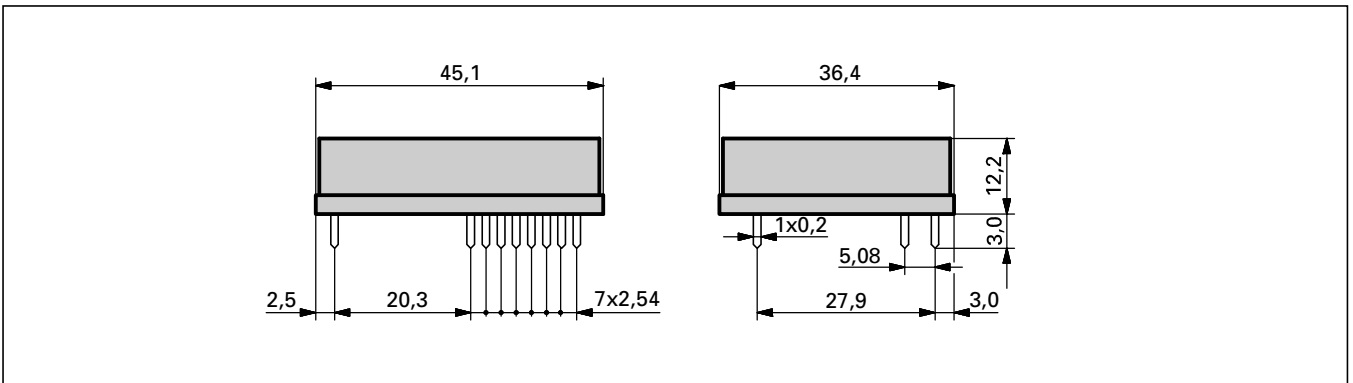


circuit diagram (view from the top)



drilling plan (view on solder side)

dimensions



coil specifications

standard coils for direct current (other voltages on enquiry)

rated voltage VDC	pull-in voltage at 20 °C	reset voltage at 20 °C	nominal current mA	resistance Ohm at 20 °C	tolerance %
6	5,1	≥ 0,3	222	27	+/-10
12	10,2	≥ 0,6	109	110	+/-10
24	20,4	≥ 1,2	54,5	440	+/-10
48	40,8	≥ 2,4	30	1'600	+/-10
110	93,5	≥ 5,5	10,3	10'600	+/-13

