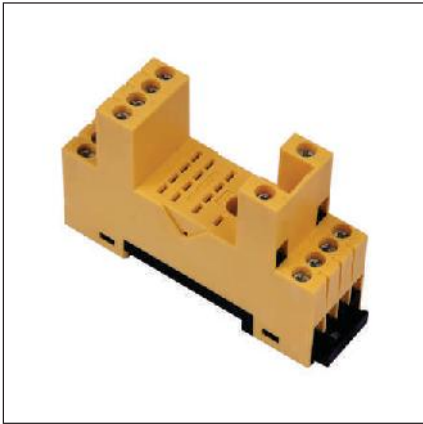


# ZFD - 148 socket with accessories - 4 pole



ZFD-148 matching to SFR-143 Series Relays

## order numbers

ZFD-148

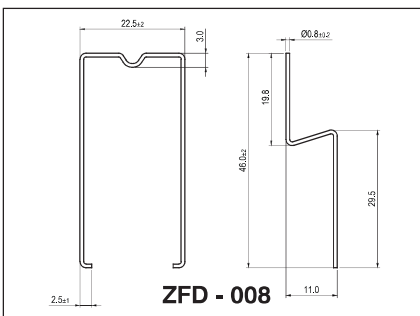
## accessories - 1

metal clamp ZFD - 008

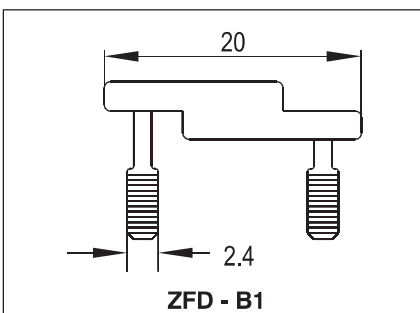
## accessories - 2

1 way bridge ZFD - B1

## dimensions for accessories - 1



## dimensions for accessories - 2



## general data

nominal dat	max. 7 A 250 V
weight	app. 61gms
installation situation	any
ambient temperature	-40 to +85 °C
number of poles	4-pole
Hard brass tin-plated terminals	0.3 x 1mm
Max. Screw Torque	1.2 Nm
Screw Dimensions	M3 Pozi
Solid Wire	4 mm <sup>2</sup> or 2 x 2.25 mm <sup>2</sup> sq
Multi Core	22 14 AWG
Ferrule Tip Terminals	4 mm <sup>2</sup> sq
Dimensions (LxBxH)	75 x 23 x 48 in mm

## tests, instructions

certificates CE, UL, VDE, CSA

## dimensions

