

ZFE - 088 socket with accessories - 2 pole



ZFE-088 matching to SFR-183 / 123 Series Relays

order numbers

ZFE-088

general data

nominal dat	max. 7 A 250 V
weight	app. 62gms
installation situation	any
ambient temperature	-40 to +85 °C
number of poles	2-pole
Hard brass tin-plated terminals	0.3 x 1 mm
Max. Screw Torque	0.6 Nm
Screw Dimensions	M3 Pozi
Dimensions (LxBxH)	72 x 28.7 x 32 in mm

accessories - 1

metal clamp ZFE - 008

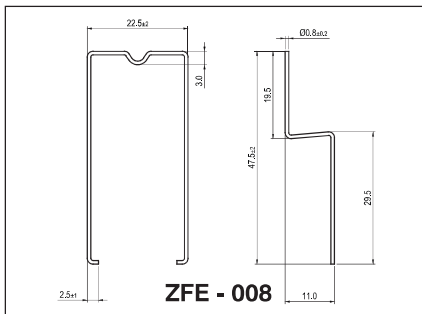
accessories - 2

c terminals ZPE - 1 - L

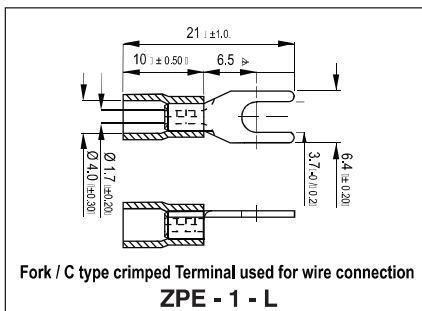
tests, instructions

certificates CE, UL, VDE

dimensions for accessories - 1



dimensions for accessories - 2



dimensions

