

ZFR - 014 socket with accessories - 4 pole



ZFR-014 matching to SFR-143 Series Relays

order numbers

ZFR-014

general data

nominal data	max. 7 A 250 V
weight	app. 8gms
installation situation	any
ambient temperature	-40 to +85 °C
number of poles	4-pole
Hard brass tin-plated terminals	0.3 x 1mm
protection standar	IP 40
Dimensions (LxBxH)	30 x 22 x 10 in mm

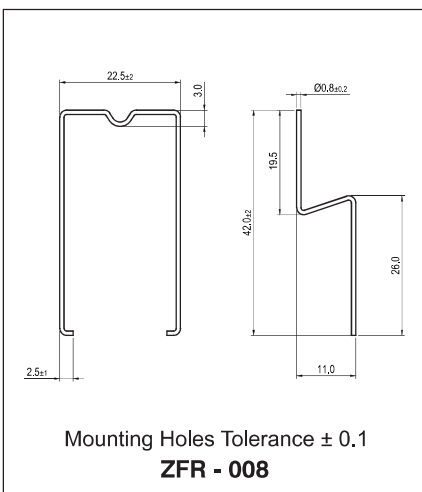
accessories - 1

metal clamp ZFR - 008

tests, instructions

certificates CE, UL, CSA, VDE

dimensions for accessories - 1



dimensions

